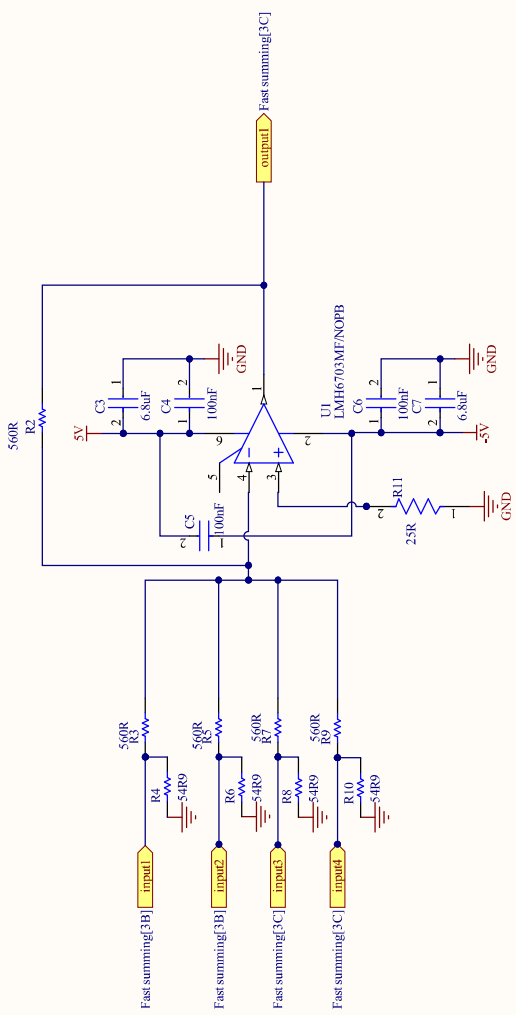
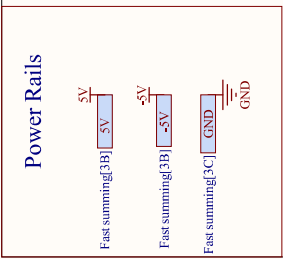
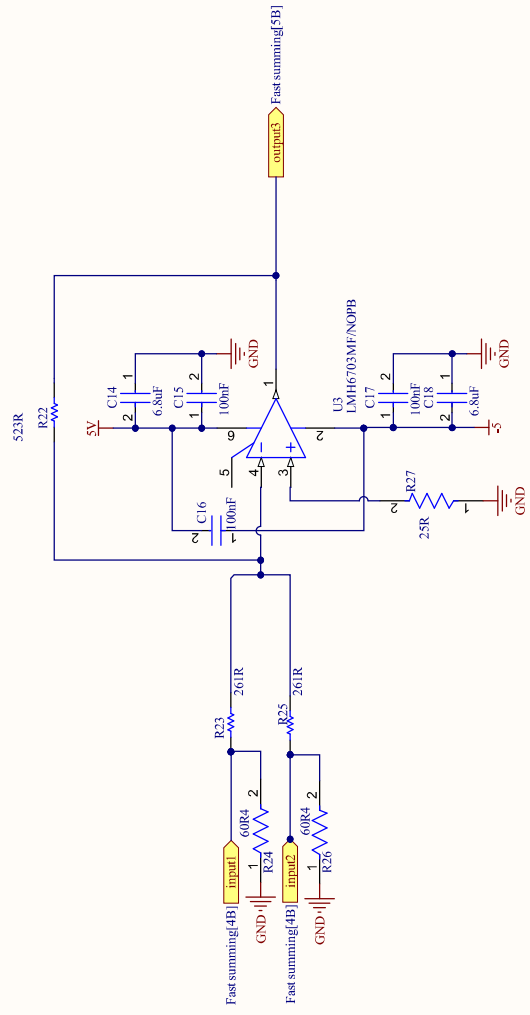
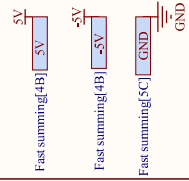


| | | | |
|-------|---------------------------------|---------------------|--|
| Title | | Fast_Summing_SchDoc | |
| Size | Number | Revision | |
| B | | | |
| Date: | 4-26-2024 | Sheet of | |
| File: | C:\Users\...Fast_Summing_SchDoc | Drawn By: Lara K... | |



| | | | |
|-------|-----------------------------|--------------------|--|
| Title | | stage Sum.SchDoc | |
| Size | Number | Revision | |
| B | | | |
| Date: | 4-26-2024 | Sheet of | |
| File: | C:\Users\stager\Sum.Sch.Doc | Drawn By: Lara K | |

Power Rails



Title: stage3Sum.SchDoc

Size: B

Number: 1

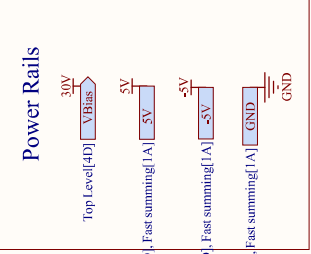
Revision: 1

Date: 4-26-2024

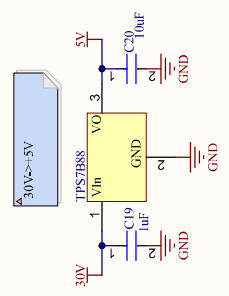
Drawn By: Lata K...

Sheet of: 1

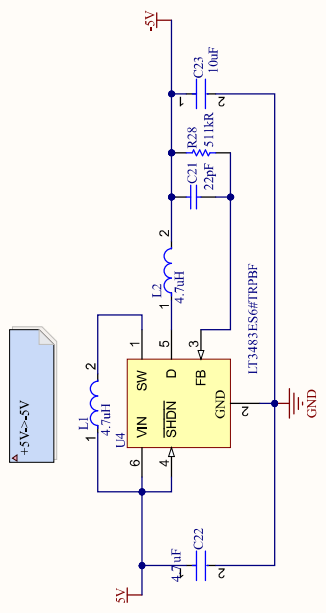
File: C:\Users\L...stage3Sum.SchDoc



A



B



C

| | | | |
|-------|-----------------------------|------------------|---|
| Title | | Power.SchDoc | |
| Size | Number | Revision | |
| B | | | |
| Date: | 4-26-2024 | Sheet of | |
| File: | C:\Users\l... \Power.SchDoc | Drawn By: Lara K | |
| | | 5 | 6 |

D