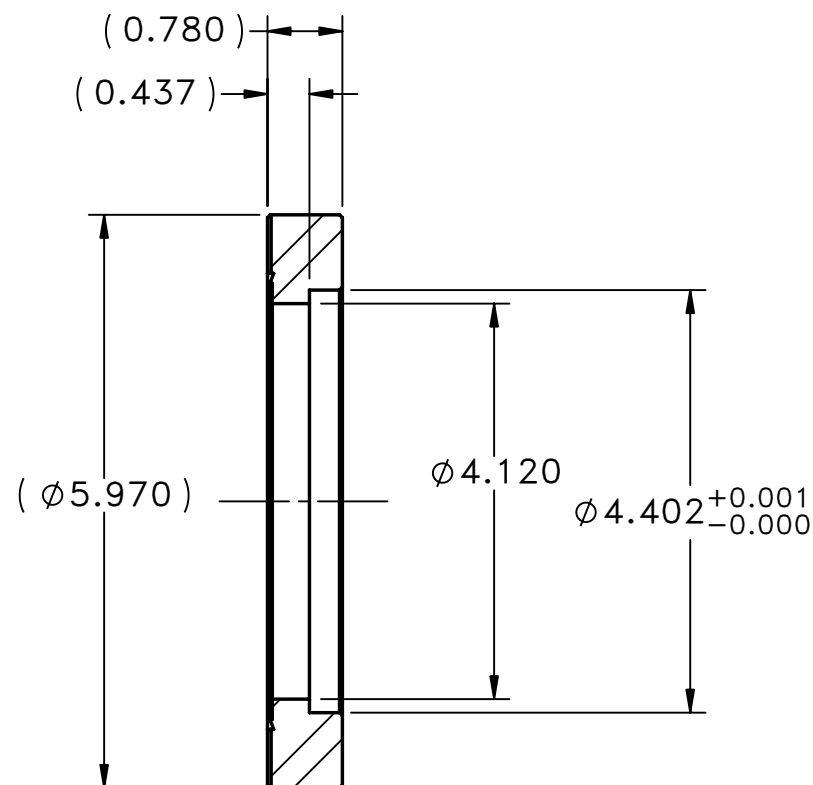
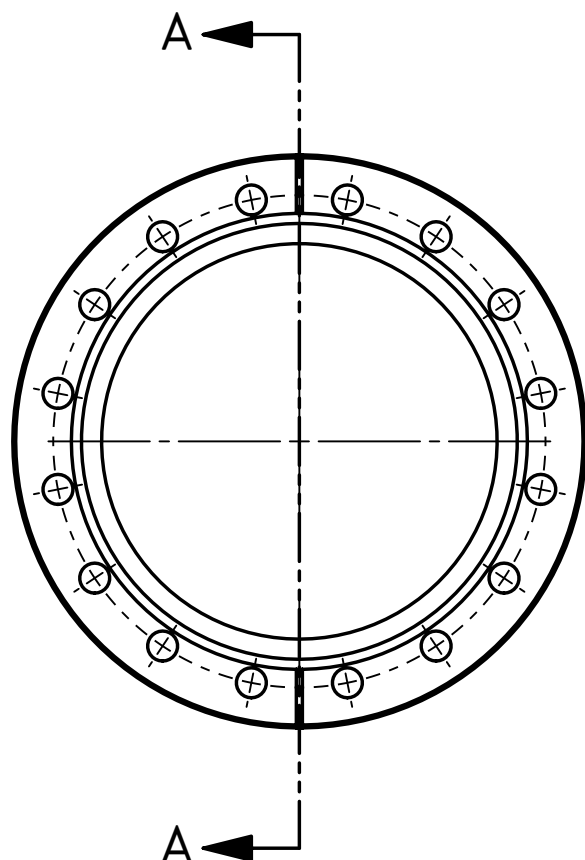


ITEM	DESCRIPTION	MATERIAL	QTY.
1	MDC PART# 130026	AISI 304	1

DIMENSIONS QUOTED ARE FINISHED DIMENSIONS, NO ALLOWANCE HAS BEEN MADE FOR MANUFACTURE.



SECTION A-A

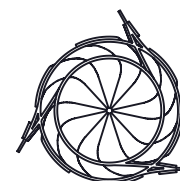
REMOVE ALL BURRS AND SHARP EDGES

REV	DATE	ZONE	REVISION DESCRIPTION	APPROVED
A	5/13/2010		ECO-2165 - Change control applies.	A.G.

TOLERANCES UNLESS OTHERWISE SPECIFIED

DECIMALS	.X	± 0.1
	.XX	± 0.01
	.XXX	± 0.005
ANGULAR		± 1.0°
SURFACE FINISH		125 µ inch

ALL DIMS IN INCHES



**TRIUMF**  
4004 WESBROOK MALL  
VANCOUVER, BRITISH COLUMBIA  
CANADA V6T-2A3

CANADA'S NATIONAL LABORATORY FOR  
PARTICLE AND NUCLEAR PHYSICS

DO NOT COPY, THIS DOCUMENT  
CONTAINS PROPRIETARY INFORMATION

THIS DRAWING, SUBJECT MATTER AND INFORMATION  
CONTAINED THEREIN, IS THE SOLE, EXCLUSIVE AND  
CONFIDENTIAL PROPERTY OF TRIUMF LABORATORY,  
AND AS SUCH, SHALL NOT BE DISCLOSED, COPIED,  
REPRODUCED OR USED, IN WHOLE OR IN PART,  
WITHOUT EXPRESSED WRITTEN PERMISSION OF THE  
TRIUMF LABORATORY OR ITS REPRESENTATIVES.

DESIGNED	A.M.	SUB-ASSY  ASSEMBLY ILE2313D
DRAWN	Daniel Rowbotham	
CHECKED	A.M.	
REA #	1030	
TRACKING #		

6" CF MOD, THRU BOLT HOLE, NON ROTATABLE  
TEXAS AM/TRINAT CHAMBER  
LEBT

SCALE	1:2	THIRD-ANGLE PROJECTION	DWG NO.	ILE2324	SIZE	B	SHEET	1	REV	A
DATE	04-05-10		OF	1						