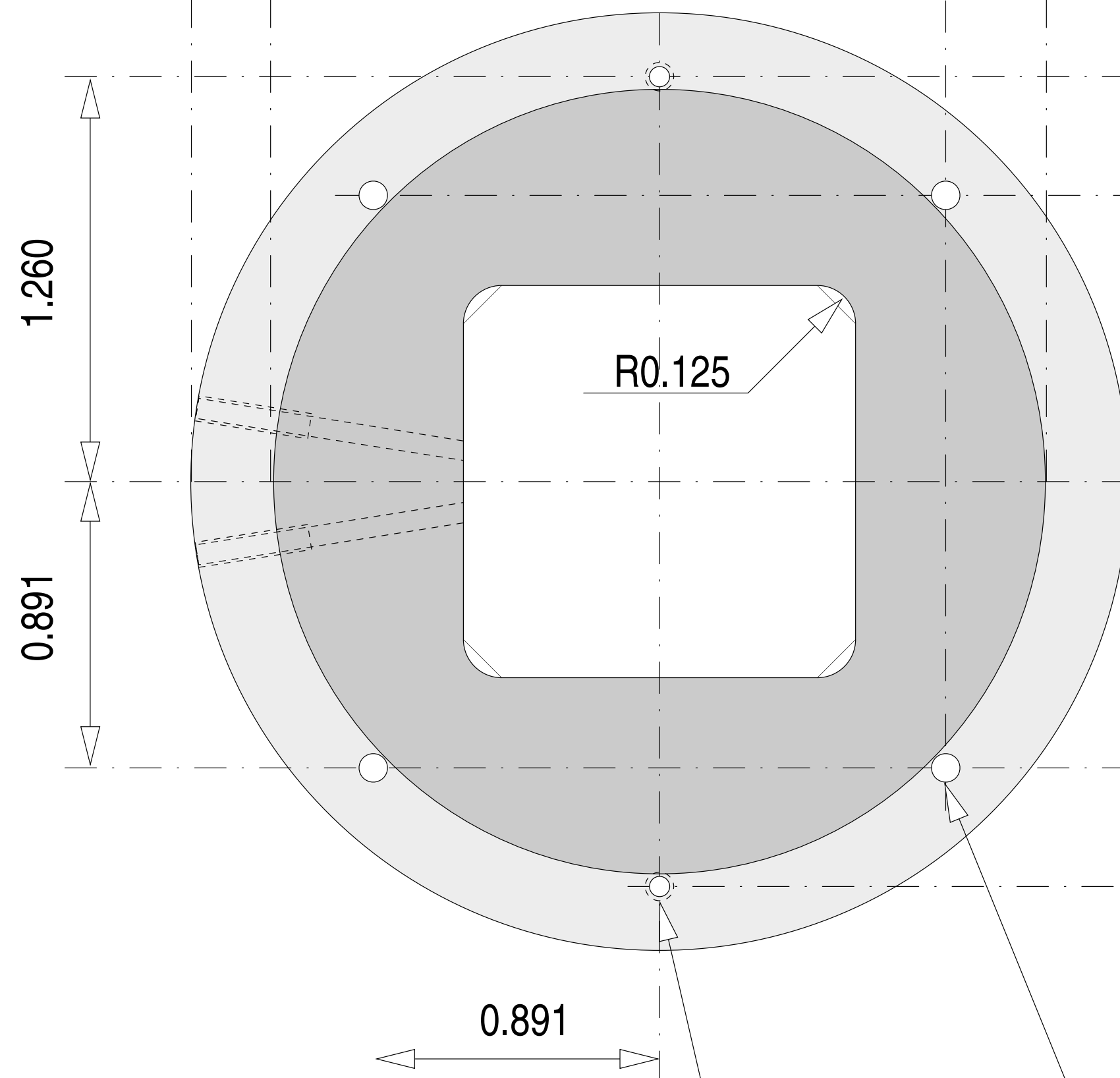
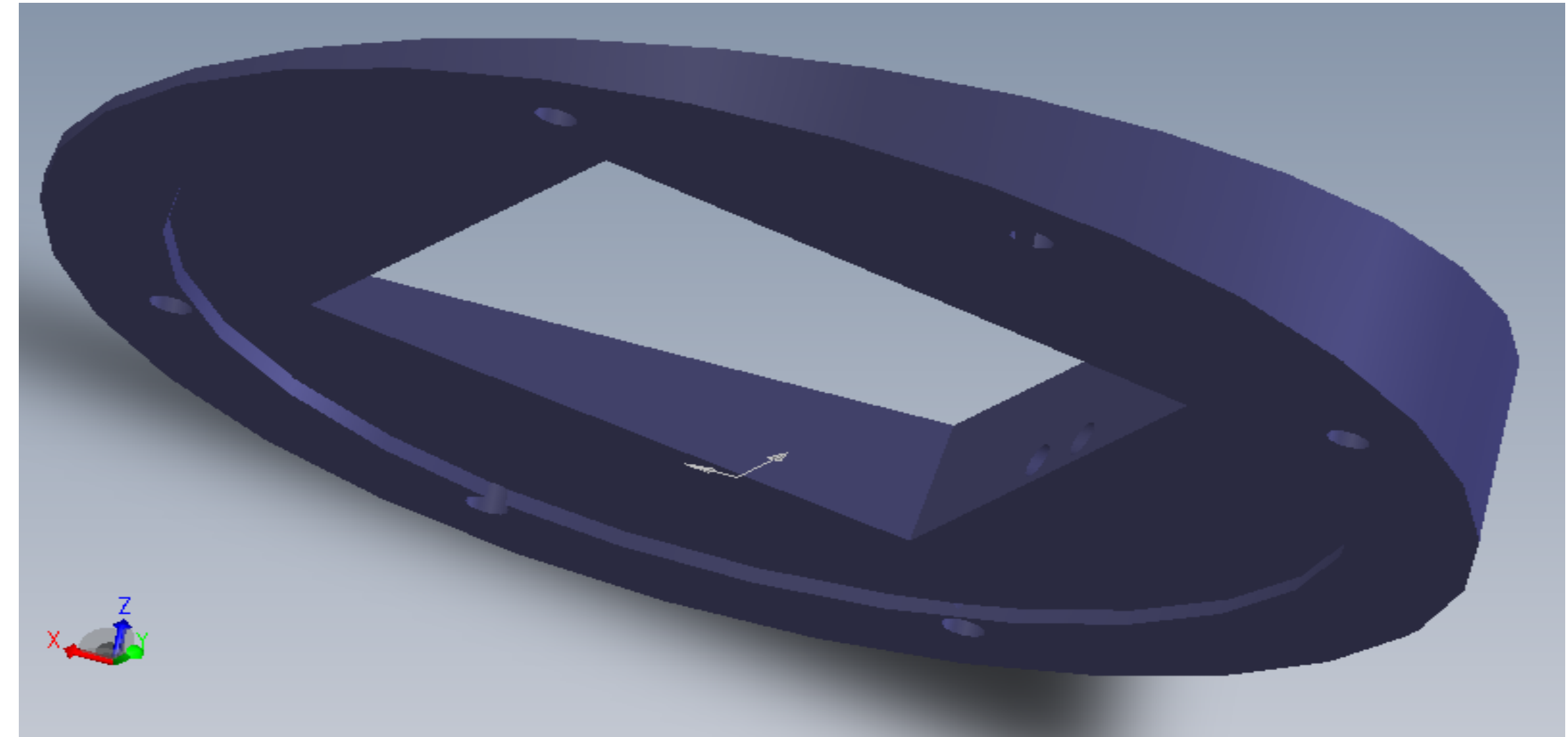
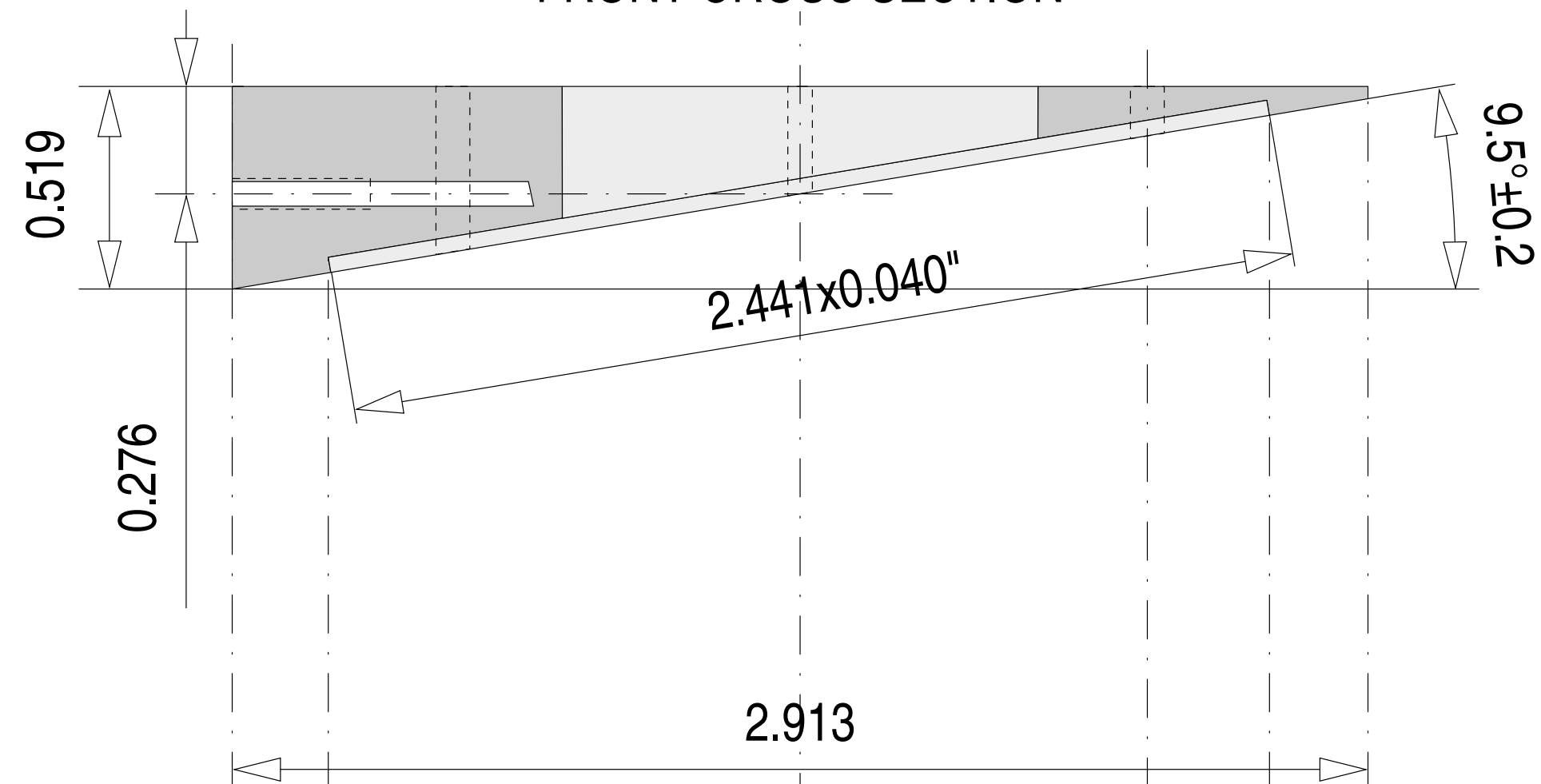


# COLLIMATOR, UPPER PART, STAINLESS STEEL, 2 OFF

ALL DIMENSIONS ARE IN INCHES UNLESS OTHERWISE SPECIFIED  
ALL TOLERANCES ARE 0.001 UNLESS OTHERWISE SPECIFIED

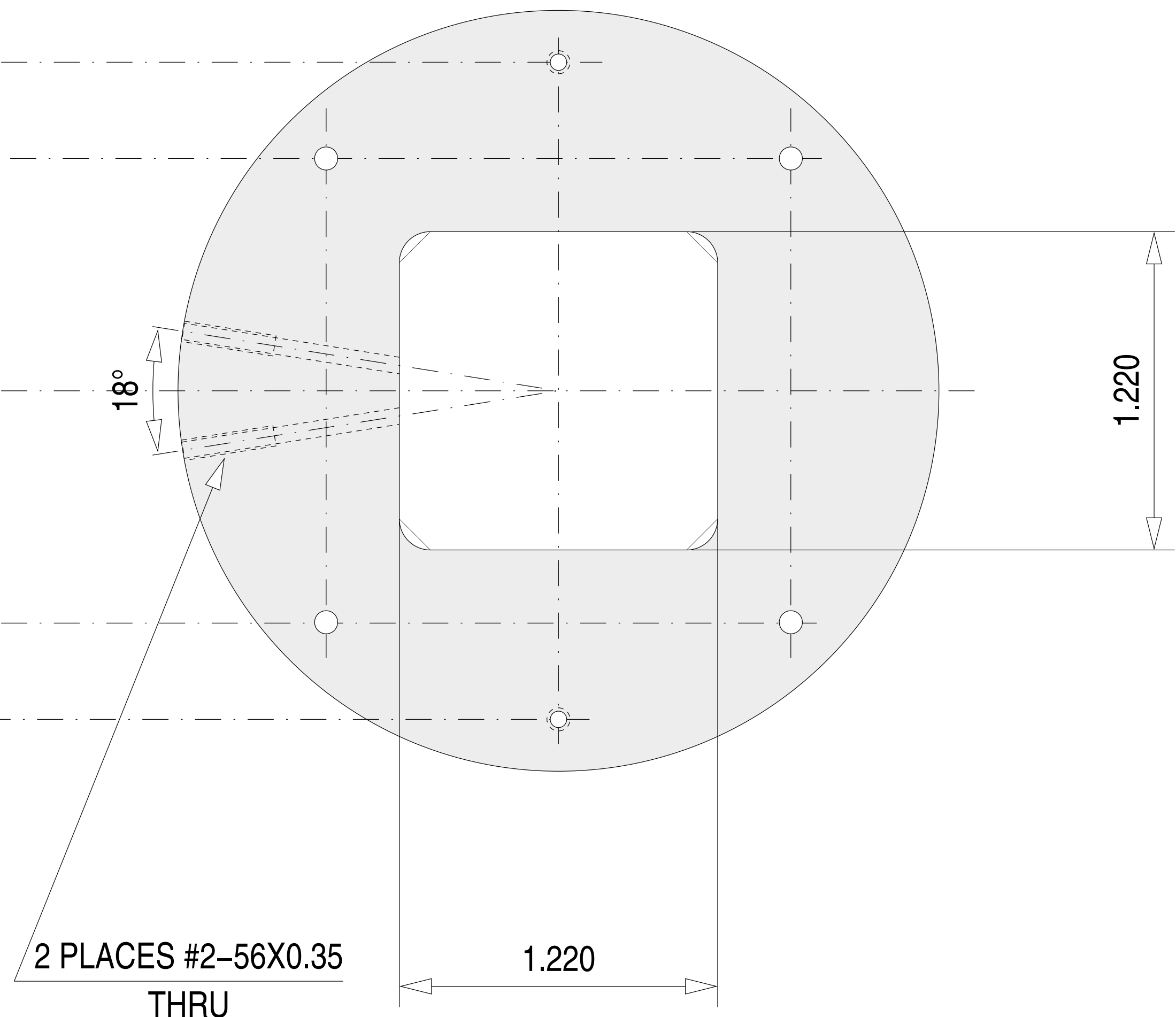
FRONT CROSS SECTION



2 PLACES  
#2-56 THRU

4 PLACES BY  
DRILL #43 THRU

BOTTOM VIEW



2 PLACES #2-56X0.35  
THRU

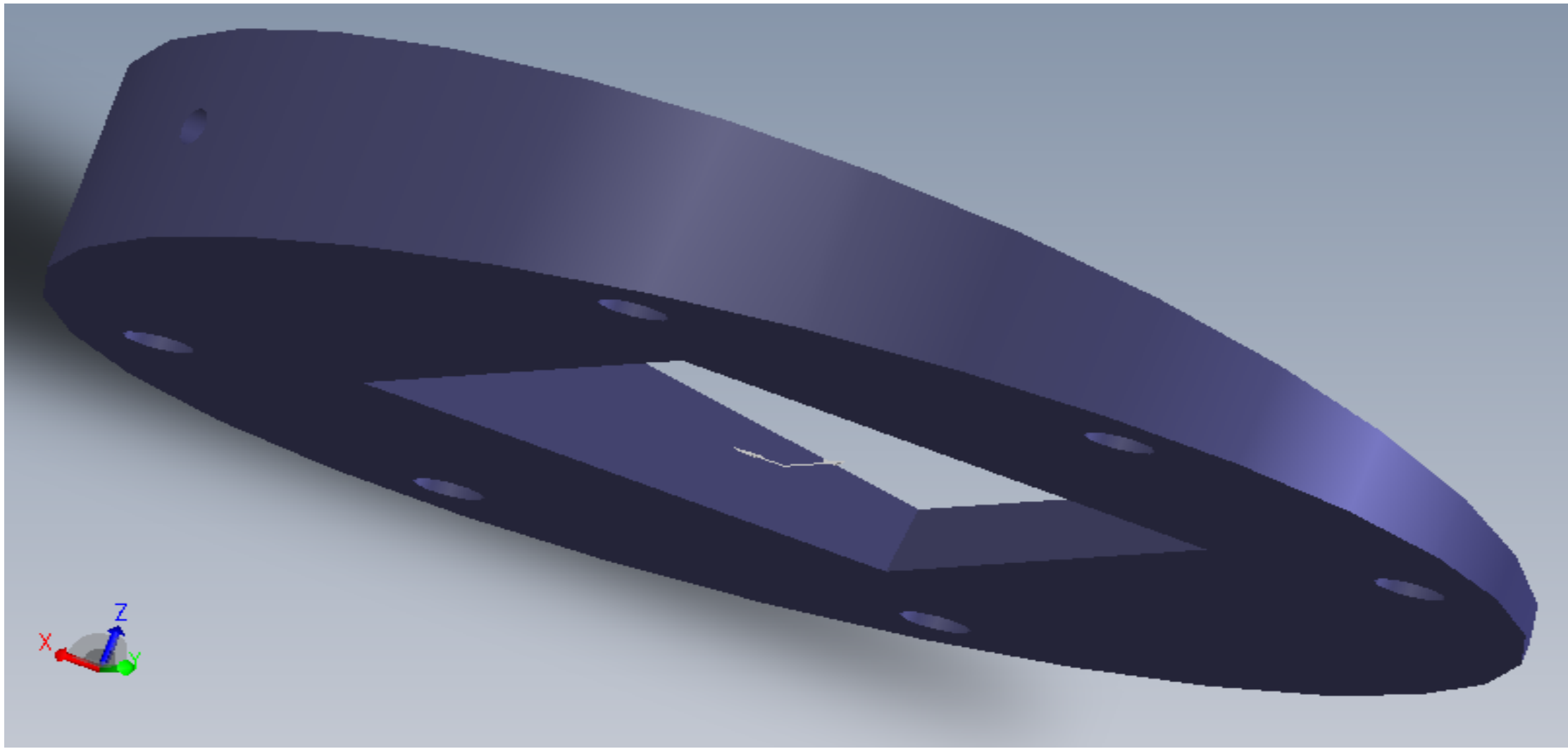
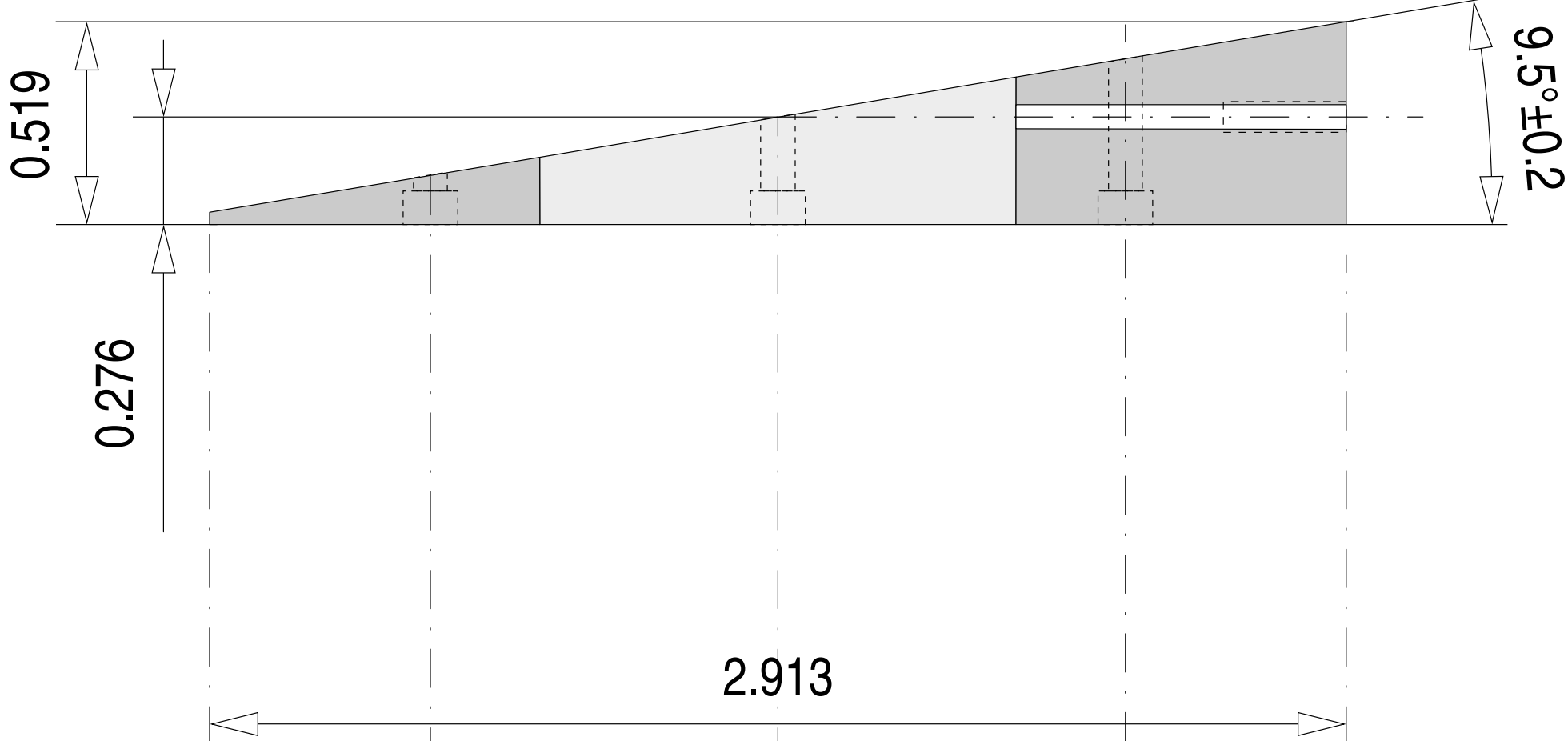
1.220

TOP VIEW

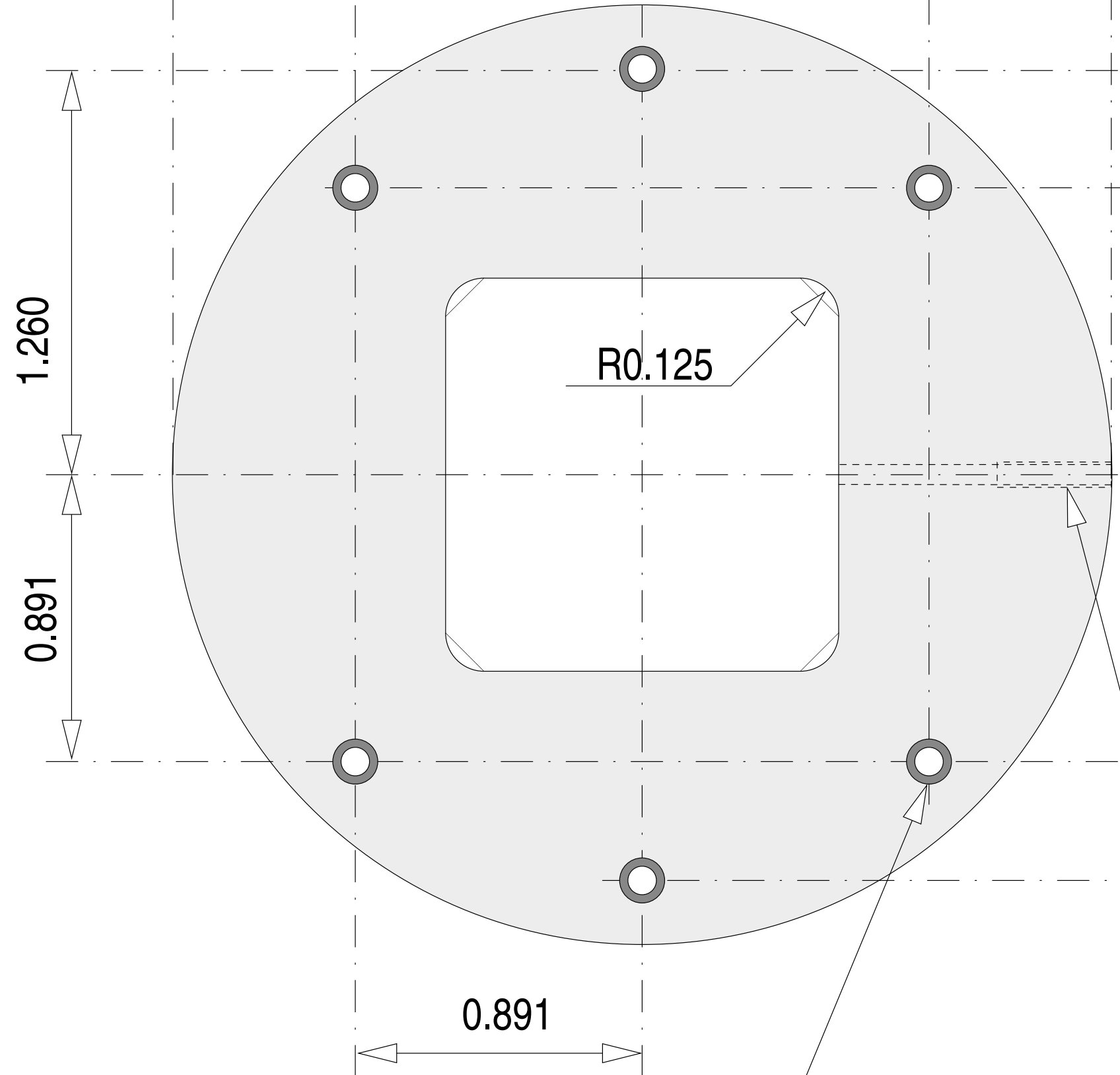
# COLLIMATOR, LOWER PART, STAINLESS STEEL, 2 OFF

ALL DIMENSIONS ARE IN INCHES UNLESS OTHERWISE SPECIFIED  
ALL TOLERANCES ARE 0.001 UNLESS OTHERWISE SPECIFIED

FRONT CROSS SECTION VIEW

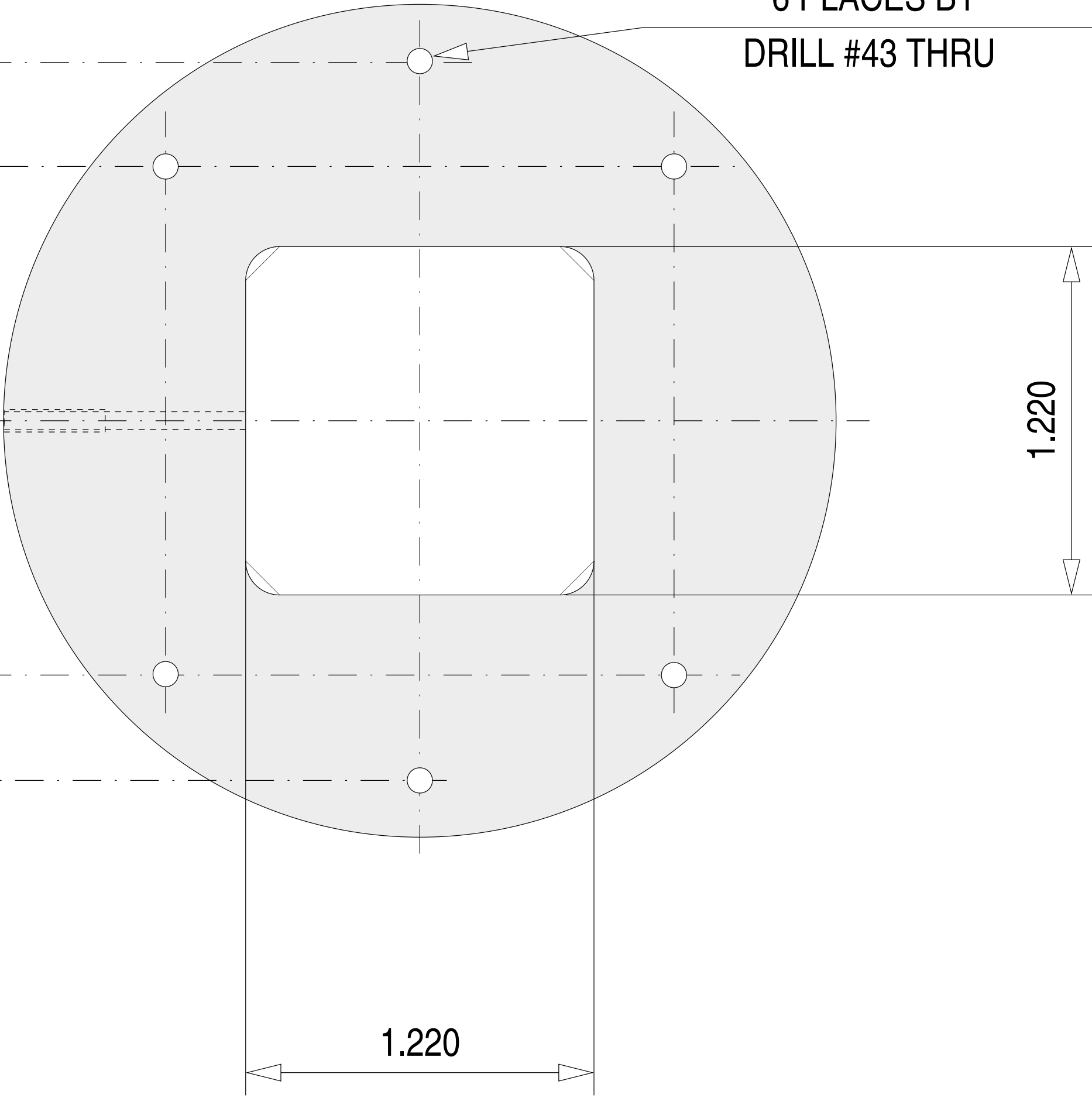


6 PLACES BY  
DRILL #43 THRU



6 PLACES BY SLOT DRILL  
9/64"x0.086"  
1 PLACE #2-56x0.35  
THRU

BOTTOM VIEW



TOP VIEW